

SAFE SHUNT (ZONE OMIT) WITH LOCK DA250LS

This unit is designed to shunt one zone from an alarm system & it is connected between the detector(s) & the control unit.

The unit has green & red LEDs, a keyswitch on the front panel & an internal sounder.

Operating the keyswitch shunts (or isolates) the detector(s) from the zone & allows access without causing an alarm. The red LED shows the keyswitch is operated.

When leaving the zone the keyswitch is returned to normal. If the zone which has been shunted is in alarm the sounder will operate & prevent the zone being returned to the system.

When the keyholder has ensured the zone is clear the switch can be returned to normal, restoring the zone to full protection, & the red LED will go out.

Link Options

LK1 OUT = Sounder operates when shunt is on.

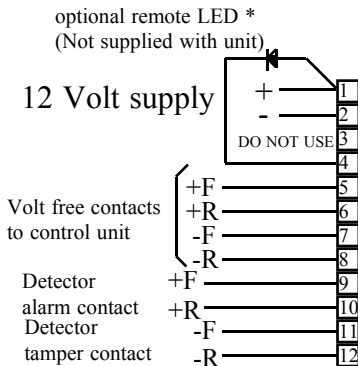
LK1 IN = Sounder operates only when zone or tamper is in alarm & key returned to normal.

LK2 OUT = Tamper loop not shunted.

LK2 IN = Tamper loop shunted with zone loop.

LK3 OUT = Self resetting (real time) when key is in normal position.

LK3 IN = Zone alarm latches when key is in normal position (tamper remains real time). Use key to reset.



*
If remote LED required fit from TB1 (anode) to TB4 (cathode) no series resistor required.

Also note that TB9 +F is via a resistor & is only suitable for a volt free contact.